



UFL-440

UFL Series

VIZION offers systems that remove almost all suspended particles in the water, which yields filtered water throughout your entire house and fewer maintenance issues related to poor water quality.

The UFL systems use self-cleaning ultra filtration cartridges to reduce almost all particles as small as .015 microns, substantially reducing microbiological contaminants and providing healthy drinking water.

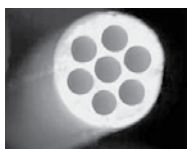
The UFL's self-cleaning ability extends the life of the cartridge and allows the system to operate with very little user intervention.

NOTE: The Flush Tank Kit (P/N 7000472) is highly recommended with these systems to allow the cartridge to clean better and last longer.

NOTE: TAC systems available for scale reduction.

FEATURES AND BENEFITS:

- .015 micron ultra filtration removes almost all suspended particles, assuring consistent high quality water.
- Self-cleaning capabilities assure long time between cartridge changes.
- Microbiological reduction provides healthy drinking water.
- Operation simplicity.
- Several system configurations available to meet your needs.



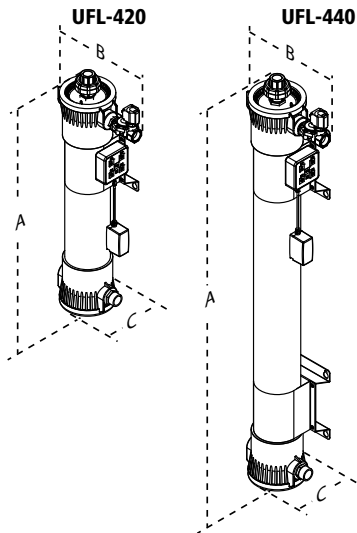
AFT Multi-Bore
Ultra Filtration Membrane



Replacement Element Tested and Certified by NSF International against NSF/ANSI Standard 42 and 53 for the reduction of:
Standard No. 42: Aesthetic Effects
Nominal Particulate Reduction Class I
Standard no. 53: Health Effects
Cyst Reduction
Turbidity Reduction.

UFL Series

Dimensions



Model & Mfg. No.	Height (A)	Width (B)	Depth (C)	Operating Weight	Min. Clearance Above or Below
UFL-420 9700465	28" (71 cm)	11.5" (29 cm)	6" (15 cm)	28 lbs. (13 kg)	19" (48.2 cm)
UFL-440 9700475	47" (119 cm)	11.5" (29 cm)	6" (15 cm)	42 lbs. (19 kg)	38" (96.5 cm)

Electrical Ratings and Plug Configurations

Model & Mfg. No.	Volts	Watts	Amps	Hertz
UFL-420 9700465	100-240	10	0.4	50/60
UFL-440 9700475	100-240	10	0.4	50

NOTE: Includes plug adaptors for US, Europe, Australia, and UK.

Capacities

Model & Mfg. No.	Capacity Per Minute
UFL-420 9700465	5 gal. (19 liters)
UFL-440 9700475	10 gal. (38 liters)

Plumbing Connections

Inlet	Outlet	Drain
1" NPT	1" NPT	3/4" NPT

Specifications (Ultra Filter)

Maximum Operating Pressure	100 psig (690 kPa)
Maximum Operating Temperature	104°F (40°C)
Nominal Pore Size	.015 microns
pH Range	3-10
MWCO	100 kD



A.J. Antunes & Co.
Headquarters/Manufacturing
180 Kehoe Boulevard
Carol Stream, Illinois 60188 USA
Phone (630) 784-1000
Toll Free (800) 253-2991
Fax: (630) 784-1650

Antunes Equipment
Manufacturing (Suzhou) Ltd.,
9 Hou Ju Road, Building #24,
S&T Park, SND
Suzhou, Jiangsu, China 215011
Phone: 86-512-6841-3637
Fax: 86-512-6841-3907

www.ajantunes.com